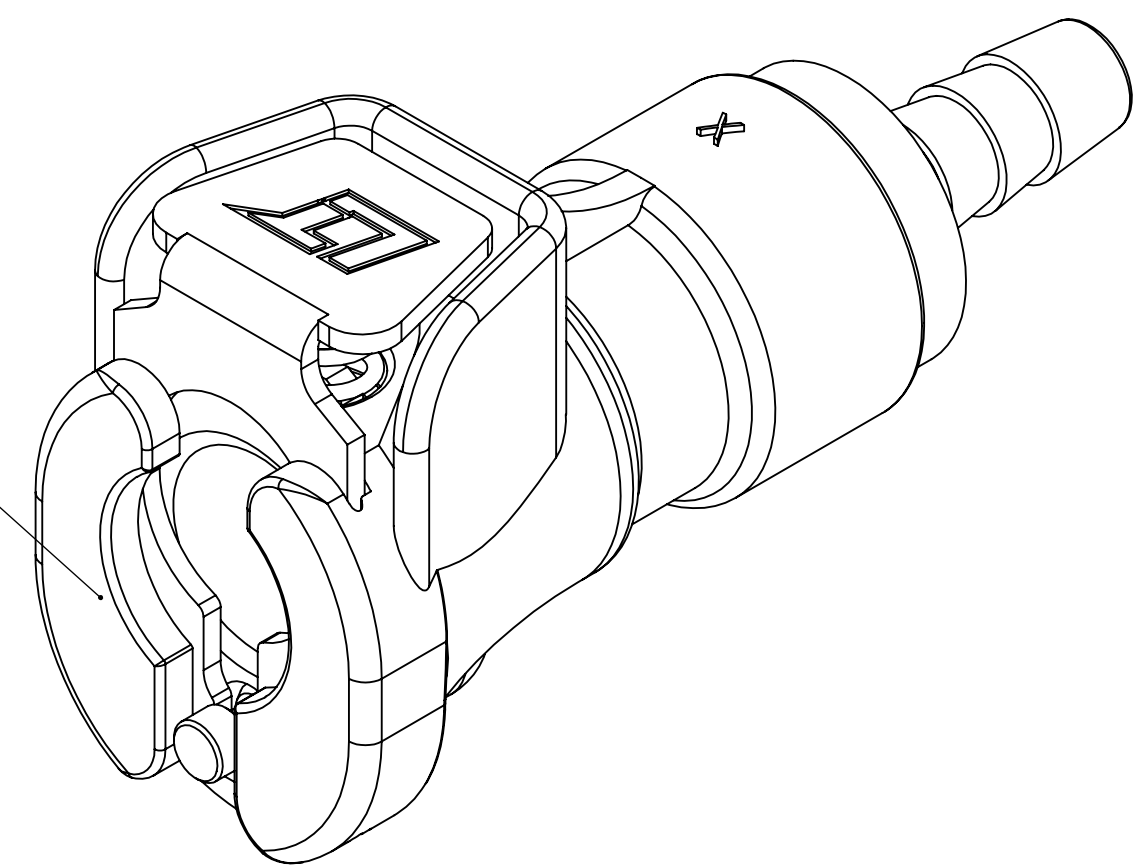
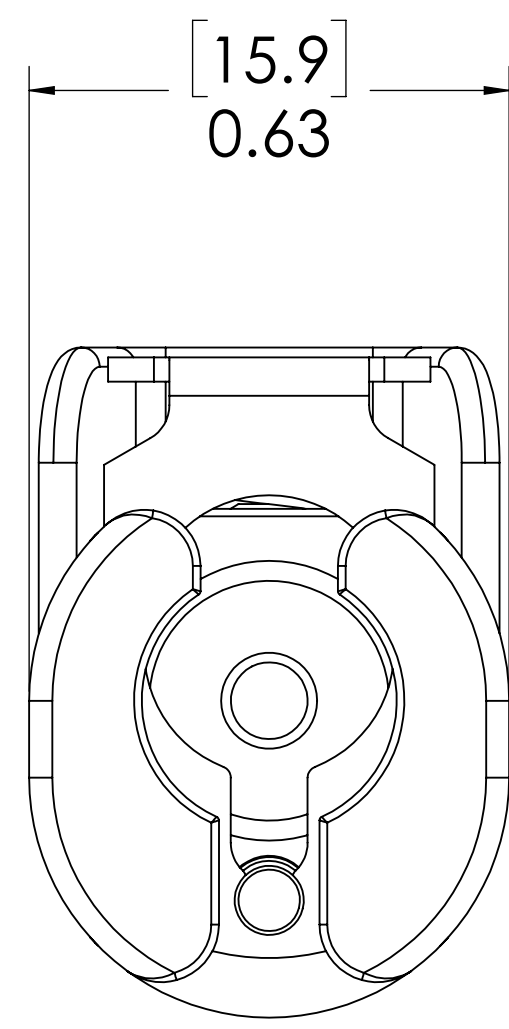


| REVISIONS | | | | | | |
|-----------|------|------|-------|--------------------|-----------|----------|
| SHEET | ZONE | REV. | ECO | DESCRIPTION | DATE | APPROVED |
| 1 | ALL | A | 50253 | 2017 FORMAT UPDATE | 6/12/2018 | HRC |

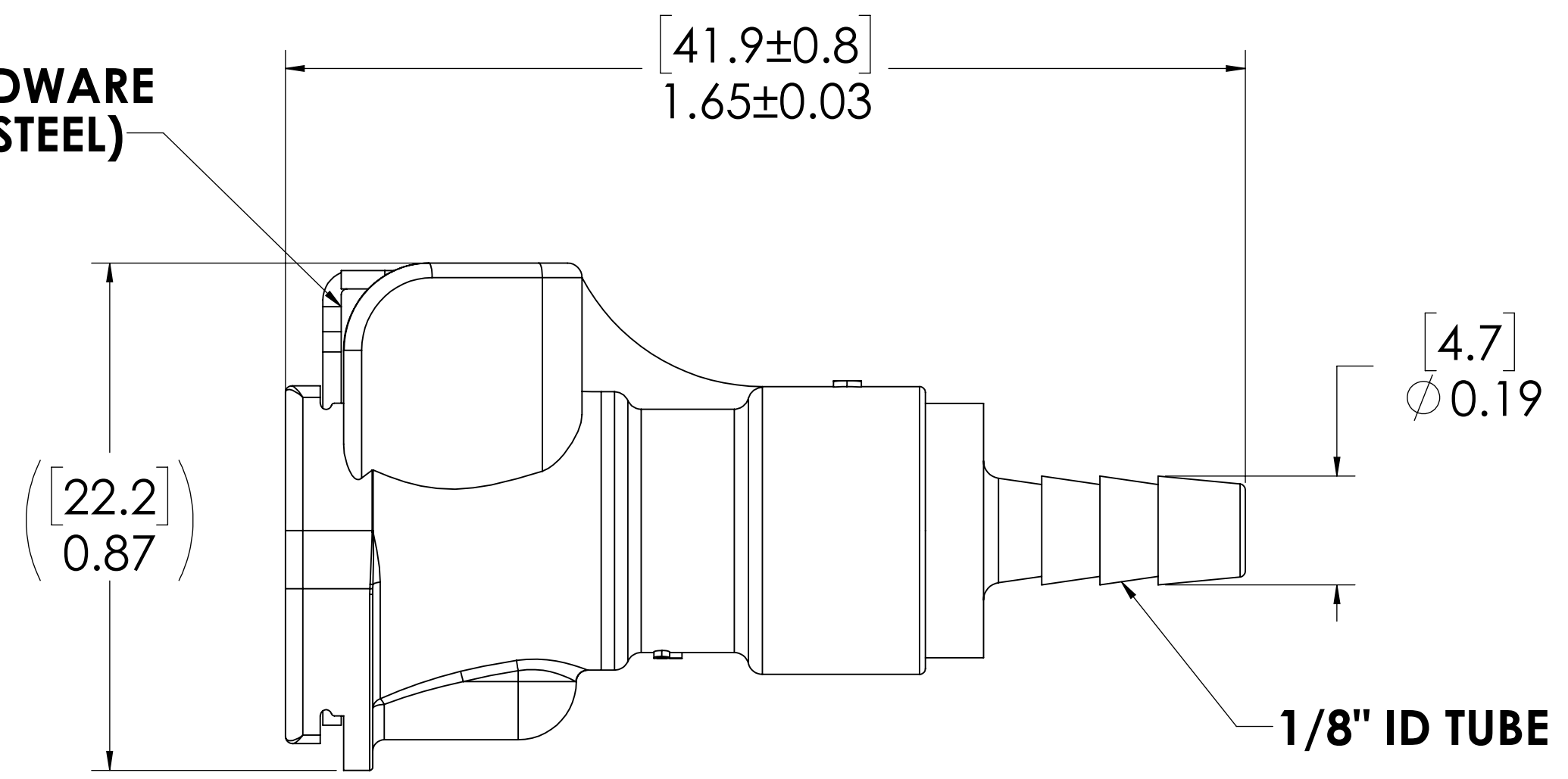


**SOCKET,
(POLYPROPYLENE)**



[15.9]
0.63

**LATCH HARDWARE
(STAINLESS STEEL)**



[41.9±0.8]
1.65±0.03


([22.2])
0.87

[4.7]
Ø 0.19

1/8" ID TUBE

- NOTES:**
- MATERIAL: POLYPROPYLENE
 - COLOR: GREY

FOR REFERENCE ONLY

| | | | | |
|---|-----------|-----|---------|---|
| <small>UNLESS OTHERWISE SPECIFIED: DIMENSIONS ARE IN INCHES TOLERANCES: FRACTIONAL ± 1/32 ANGULAR: MACH ± 0.5 BEND ± 2 ONE PLACE DECIMAL ± 0.1 TWO PLACE DECIMAL ± 0.01 THREE PLACE DECIMAL ± 0.005 TWO PLACE DUAL (mm) [±0.12]</small> | DRAWN | DHJ | 5/12/10 |  PART NO: 20PP-S2-02 |
| | CHECKED | DHJ | 5/12/10 | |
| | ENG APPR. | HRC | 6/12/18 | DESCRIPTION: LinkTech 20PP Series Straight Female, Non-valved, 1/8" HB, Molded Grey Color, Polypropylene |
| | MFG APPR. | BDB | 6/12/18 | |
| <small>PROPRIETARY AND CONFIDENTIAL THE INFORMATION CONTAINED IN THIS DRAWING IS THE SOLE PROPERTY OF LINKTECH LLC. ANY REPRODUCTION OR DISCLOSURE IN PART OR AS A WHOLE WITHOUT THE WRITTEN PERMISSION OF LINKTECH LLC IS STRICTLY PROHIBITED.</small> | Q.A. | JJB | 6/12/18 | SIZE DWG. NO. REV C 20PP200064 A |
| | COMMENTS: | | | SCALE: NTS WEIGHT: SHEET 1 OF 1 |